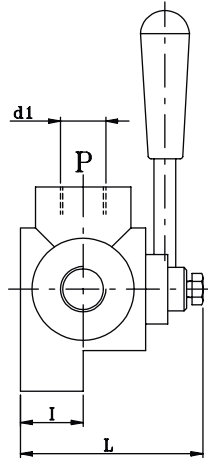
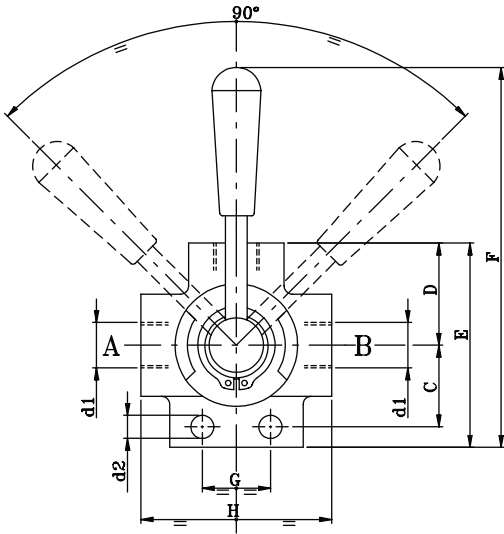
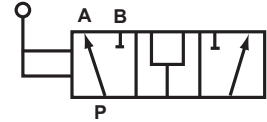


3 WAY ROTARY DIVERTER VALVE

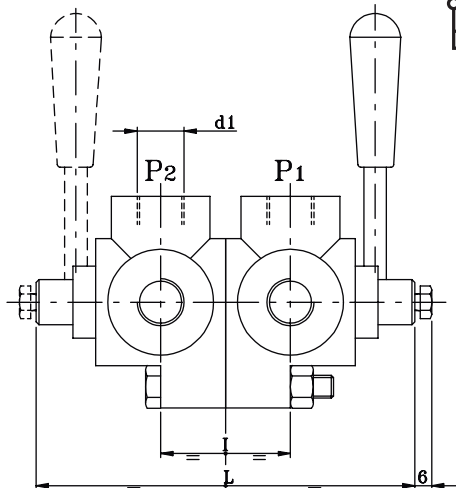
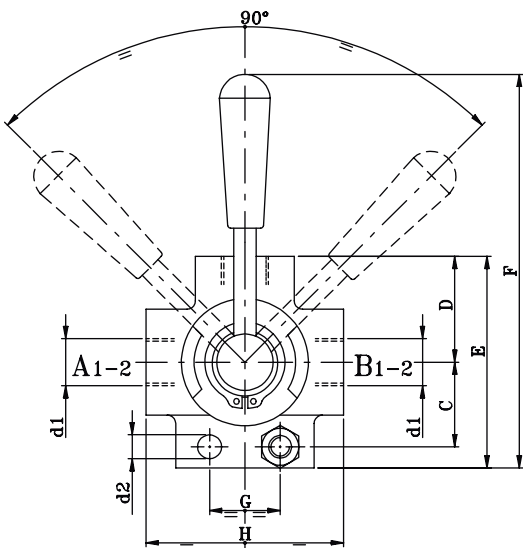


HYDRAULIC SYMBOL

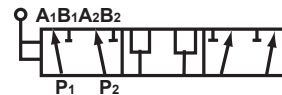


CODE	MAXIMUM FLOW ltr/min	MAXIMUM PRESSURE bar	Dimensions									
			d1	d2	C	D	E	F	G	H	I	L
D3V38	50	300	G 3/8"	8.5	31	36	78	152	24	73	21	62
D3V12	80	250	G 1/2"	8.5	36	43	96	173	30	85	24	70
D3V34	120	220	G 3/4"	10.5	41	47	101	179	32	91	28	80
D3V1	180	220	G 1"	10.5	50	51	115	194	32	98	31.5	90

6 WAY ROTARY DIVERTER VALVE



HYDRAULIC SYMBOL



CODE	MAXIMUM FLOW ltr/min	MAXIMUM PRESSURE bar	Dimensions									
			d1	d2	C	D	E	F	G	H	I	L
D6V38	50	315	G 3/8"	8.5	31	36	78	152	24	73	42	124
D6V12	80	280	G 1/2"	8.5	36	43	96	173	30	85	48	140